

# Fact Sheet

## GLM-Emaxx 40/50/70

# BIZERBA

*GLM-Emaxx ... a class of its own Exact weighing, accurate labeling - and saving a great deal of time.*

*The GLM-Emaxx is a fully automatic labeling device of space-saving design which has mainly proved successful as entry level class.*



**More informationen**  
High performance  
with a wide range of  
solutions and options.

Specifications	Facts	Details
<b>Weighing ranges</b>	6 kg	Verification scale interval 2 g (optionally 1 g), min. FPV 500/150 g
	3/6 kg	Verification scale interval 1/2 g, min. FPV 150 g
	12 kg	Verification scale interval 2 g, min. FPV 500 g
<b>Weighing conveyor dimensions</b>	300 mm x 300 mm (W x L)	for 3/6 kg, 6 kg, 12 kg scales
	300 mm x 400 mm (W x L)	for 3/6 kg, 6 kg, 12 kg scales
	300 mm x 700 mm (W x L)	for 3/6 kg, 6 kg
<b>Printing technology</b>	Printing process	Thermal direct (optional thermal transfer)
	Resolution	8 dot/mm (optional 12 dot/mm)
	Print width	80 mm (optional 104 mm)
	Print speed	max. 250 mm/s
	Label output	120 mm
<b>Labeler</b>	Label size	min. W 30 mm x H 30 mm to W 100 mm x H 100 mm (depending on applicator type, further dimensions available as special version)
	Label roll	Core diameter 76 mm (optional 40 mm) Outer diameter 300 mm
	Thermal transfer ribbon	Core diameter 25.4 mm Outer diameter 81 mm
<b>Labeling technology</b>	Air-jet labeler	Compressed air supply 6 bar, for top or bottom labeler
	Piston applicator	Compressed air supply 6 bar, for top or bottom labeler
	Belt applicator	Only for bottom labeler
<b>Labeler setting</b>	Height adjustment	Manual
	Transverse adjustment	Manual
<b>Package size</b>	min. 40 mm x 40 mm x H >1 mm (W x L x H)	Depending on weighing conveyor dimensions
	max. 300 mm x 300 mm x 250 mm (W x L x H)	GLM-Emaxx 70 with 300 mm weighing conveyor
	max. 300 mm x 400 mm x 250 mm (W x L x H)	GLM-Emaxx 40/50 with 400 mm weighing conveyor
	max. 300 mm x 700 mm x 250 mm (W x L x H)	GLM-Emaxx 50 with 700 mm weighing conveyor
<b>Labeling capacity</b>	max. 50 ppm / 70 ppm	Depending on device version, weight, package type and label size
<b>Barcode versions</b>	all common barcode versions	EAN/UPC 8, EAN/UPC 13, EAN/UPC 128, Code 2/5 int. Code 39, Code 128, GS1-128, PDF417, PDF 417 mit AI, GS1 DataBar Omni, GS1 DataBar, Data Matrix, QR-Code
<b>Supply voltage</b>	240V/50Hz (120V/60Hz)	One-Phase
<b>Operating temperature</b>	0°C to 40°C	Standby to -10°C
<b>Humidity</b>	20 - 90%, non-condensing	
<b>Protection class</b>	IP20	Printer

	IP54	Scale, transport, control cabinet
<b>Memory</b>	2 GB	Compact flash card
<b>Operating panel</b>	Operation with keyboard color display 7"	Optional 12" LCD display with touch screen function
<b>Options</b>	<b>Facts</b>	<b>Details</b>
<b>Rotation and alignment station</b>	For products of up to 6 kg	Attachment in place of infeed conveyor, turning packages from crosswise to lengthwise transportation
<b>Alignment rails</b>	For infeed / indexing conveyor	Not possible for rotary/alignment station
<b>Rejection function</b>	Pusher  Package rejection device	up to 2 kg

## Infografiphc



## Symbols



Protection  
class IP54



Protection  
class IP20



Without  
tools

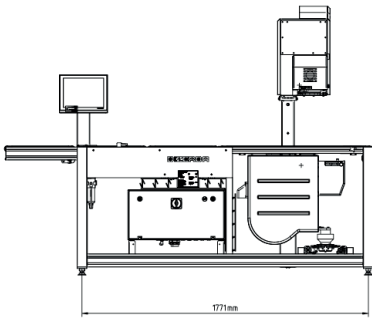


WS-food

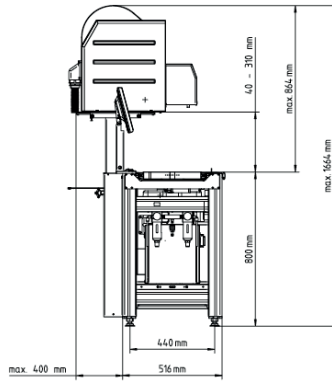


Unicode

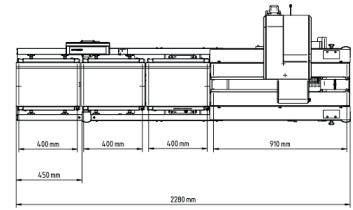
## Dimensions



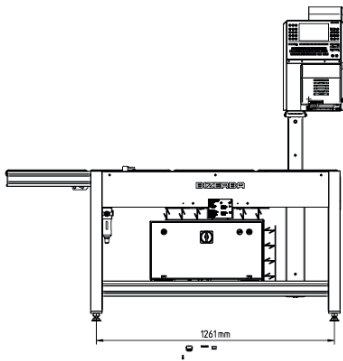
GLM-Emaxx 50/70



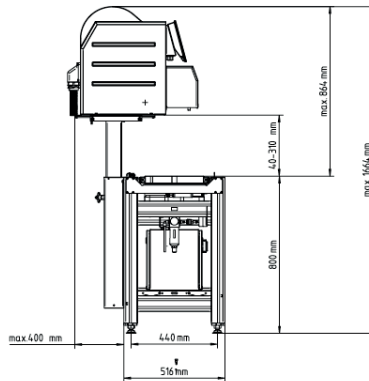
GLM-Emaxx 50/70



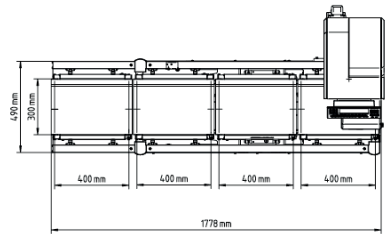
GLM-Emaxx 50/70



GLM-Emaxx 40



GLM-Emaxx 40



GLM-Emaxx 40

**Bizerba SE & Co. KG**  
 Wilhelm-Kraut-Straße 65  
 72336 Balingen  
 Germany

T +49 7433 12-0  
 F +49 7433 12-2696  
 marketing@bizerba.com

[www.bizerba.com](http://www.bizerba.com)