

Fact Sheet

GLP-Imaxx

BIZERBA

GLP-Imaxx ... more features, more convenience, more functionality. Regardless if used as stand-alone printer, total printer or if used for weight-related product labeling, the GLP-Imaxx with its Intel® Atom™-based hardware is the ideal solution for today's and tomorrow's requirements.



More information
High performance
with a wide range of
solutions and options.

Specifications	Facts	Details
Weighing range LA18 A/M	6 kg / 2 g	Minimum load 40 g / verification scale intervals 3000
	15 kg / 2 g	Minimum load 100 g / verification scale intervals 3000
	12 kg / 2 g	Minimum load 40 g / verification scale intervals 6000
	3/6 kg // 1/2 g	Minimum load 20 g / verification scale intervals 2 x 3000
	6/15 kg // 2/5 g	Minimum load 40 g / verification scale intervals 2 x 3000
	I-ADC	Connection of more than one load receptor possible
Printing technology	Printing process	Thermal direct (optional thermal transfer)
	Resolution	8 dot/mm (optional 12 dot/mm)
	Print width	80 mm (optional 104)
	Print speed	max. 250 mm/s
	Label output	120 mm
Printer	Label size	min. 20 mm (W) x 20 mm (L) max. 100 mm (W) x 300 mm (L)
	Label roll Thermal	Core 40 mm opt. 76 mm, outer diameter max. 300 mm
	Transfer ribbon	Core diameter 25.4 mm Outer diameter 81 mm
Barcode versions	All common barcode versions	EAN/UPC 8, EAN/UPC 13, EAN/UPC 128 , Code 2/5 int. Code 39, Code 128 , GS1-128 , PDF417 , PDF 417 with AI, GS1 DataBar Omni, GS1 DataBar, Data Matrix, QR-Code
Mains voltage	230 V / 50-60 Hz, 110 V / 60 Hz	
Operating temperature	0 °C to +40 °C	stand-by up to -10 °C
Humidity	20-90 % non-condensing	
Protection class	IP 20	
Memory	2 GB	Compact Flash card
Operating panel	Operation via keyboard and 7" color display	Optional GT-12E or GT-12C 12" LCD display with touch screen function
Options	Facts	Details
Thermal transfer device		
I-ADC	Internal analog / digital converter	For connection of analog load receptors up to 56 Ohm.

Infographic



Symbols



Protection class IP 54



Protection class IP 20



Maintenance without tools

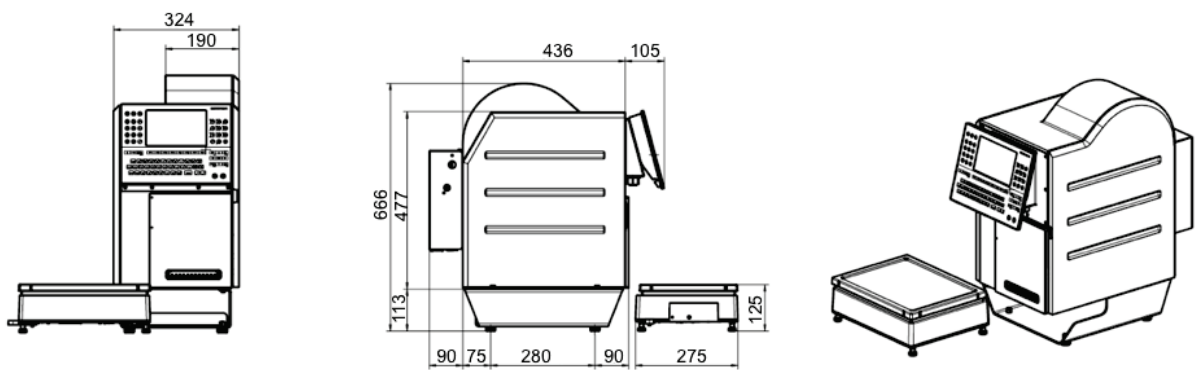


WS-food

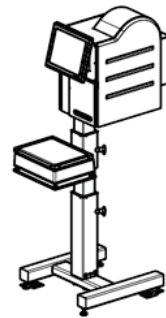
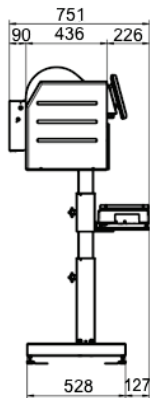
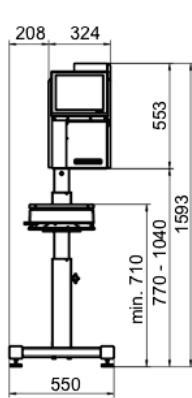


UNICODE

Dimensions



GLP-I maxx table-top version



GLP-lmaxx column-version

Bizerba GmbH & Co. KG

Wilhelm-Kraut-Straße 65
72336 Balingen
Germany
T +49 7433 12-0
F +49 7433 12-2696
marketing@bizerba.com

www.bizerba.com