

Fact Sheet

GLPmaxx 80

BIZERBA

GLPmaxx ... more features, more convenience, more functionality. Regardless if used as stand-alone printer, total printer or if used for weight-related product labeling, the GLPmaxx with its PC-based hardware is the ideal solution for today's and tomorrow's requirements.



More Information
High performance with a wide range of solutions and options.

| Specifications | Facts | Details |
|--------------------------------|--|--|
| Weighing range LR18 A/M | 6 kg / 2 g 15 kg / 5 g 12 kg / 2 g 3/6 kg // 1/2 g 6/15 kg // 2/5 g I-ADC | Minimum load 40 g / verification scale intervals 3000 Minimum load 100 g / verification scale intervals 3000 Minimum load 40 g / verification scale intervals 6000 Minimum load 20 g / verification scale intervals 2 x 3000 Minimum load 40 g / verification scale intervals 2 x 3000 Allows connection of further load receptor |
| Printing technology | Printing process Resolution Print width Print speed Label output | Thermal direct (optional thermal transfer) 8 dot/mm (optional 12 dot/mm) 56 mm (optional 80 mm) max. 250 mm/s 80 mm |
| Printer | Label size Label roll Thermal transfer ribbon | min. 30 mm (W) x 20 mm (L) max. 80 mm (W) x 500 mm (L) Core 40-76 mm, outside max. 150 mm Core diameter 25.4 mm Outer diameter 81 mm |
| Barcode versions | All standard barcodes | EAN/UPC 8, EAN/UPC 13, EAN/UPC 128, Code 2/5 int. Code 39, Code 128, GS1-128, PDF417, PDF 417 mit AI, GS1 DataBar Omni, GS1 DataBar, Data Matrix, QR-Code |
| Supply voltage | 230 V / 50-60 Hz, 110 V / 60 Hz | |
| Operating temperature | 0 °C to 40 °C | Standby to -10 °C |
| Humidity | 20-90 % non-condensing | |
| Protection class | IP 20 | |
| Memory | 2 GB | Compact flash card |
| Weight | 10.92 kg | |
| Operating panel | Operation with keyboard and color display 7" | Optional GT-12C LCD display 12" with touch screen function |

| Options | Facts | Details |
|--------------------------------|---------------------------------------|--|
| Thermal transfer device | | Printing is done via thermal transfer ribbon. |
| GLP-WA | Option automatic price labeling scale | This option is required if the product to be weighed is supplied via an upstream conveyor belt of the scale. |
| I-ADC | Internal analog / digital converter | For connection of analog load receptors up to 56 ohm. |

Printer driver

For print jobs sent straight from Office programs, such as Word or Power Point.

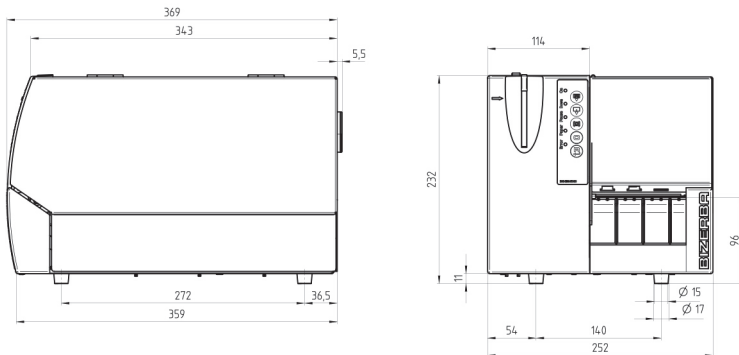
Windows Vista, Windows 7, Windows 8, Windows 8.1, Windows Server 2008, Windows Server 2008R2

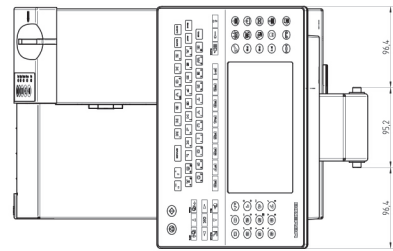
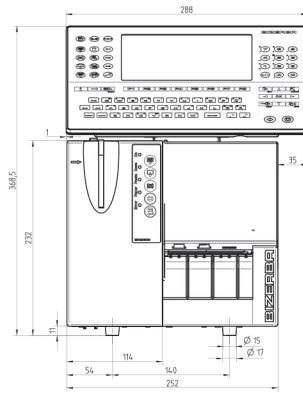
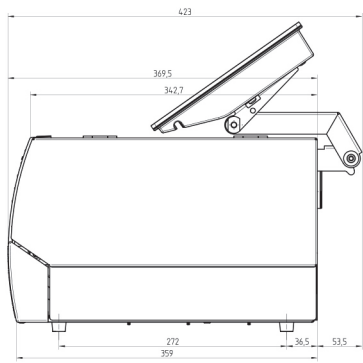
Infographic



Symbols

Dimensions





Bizerba SE & Co. KG
 Wilhelm-Kraut-Straße 65
 72336 Balingen
 Deutschland
 T +49 7433 12-0
 F +49 7433 12-2696
 marketing@bizerba.com

www.bizerba.com